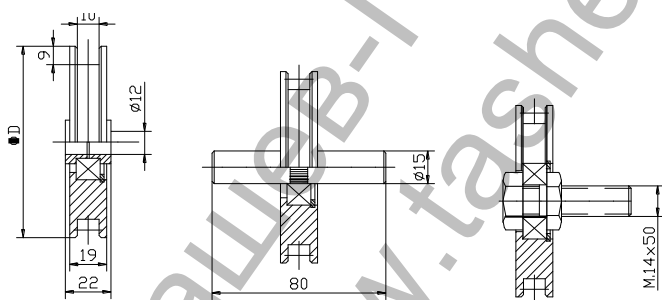


**Ролка Estebro® за плъзгащи се врати с втулка ф 120x10 мм,
СТОМАНЕНА**



Cod	Dimens.	ØD			Peso Max. Kg
965	60x10	58	20	4,00	375
966	70x10	68	20	5,95	375
967	80x10	78	15	6,90	375
968	90x10	88	8	4,70	375
969	100x10	98	8	6,05	375
970	120x10	118	6	7,00	375

Family: Wheels

Material: 11SMn30 steel

Finish: Zinc-plated

Maximum weight supported by the bearing*: See table

Description: Wheel with 6202 2RS bearing. It is normally installed on overhead doors to allow the displacement of the cable. It can be supplied with reducing sleeves to 12 mm, with an axle of \varnothing 15 mm and 80 mm long, or with a M.14x50 screw.

***In perfect conditions of installation, usage and maintenance.**

Продукт: [Ролка Estebro® за плъзгаци се врати с втулка ф 120x10 мм, стоманена](#)

Категория: [Плъзгаци се врати](#)

Бранд: [Estebro®](#)

Категория бранд: [Ролка Estebro®](#)

Ташев-Галвинг ООД
www.tashev-galving.com